

Universal PSA Sealer

Document List

Section	Description	File Name
	This Document 1 of 1	60896015.FM
Table of Contents	1 of 1	60895811.FM
Operator's Instructions	Pages 1-5	60895512.FM
Maintenance Instructions	Pages 6-7	60895711.FM
Exploded View	1 of 1	61269511.cdr
Index	1 of 1	60895910.FM
Service and Parts Contacts	1 of 1	61053911.FM
	Cover and Back	60896110.FM

Universal PSA Sealer

Table of Contents

Operator's Instructions - - - - -	1
PSA Sealer Setup - - - - -	2-5
Maintenance Instructions - - - - -	6-7
Exploded View - - - - -	1 of 1

Universal PSA Sealer

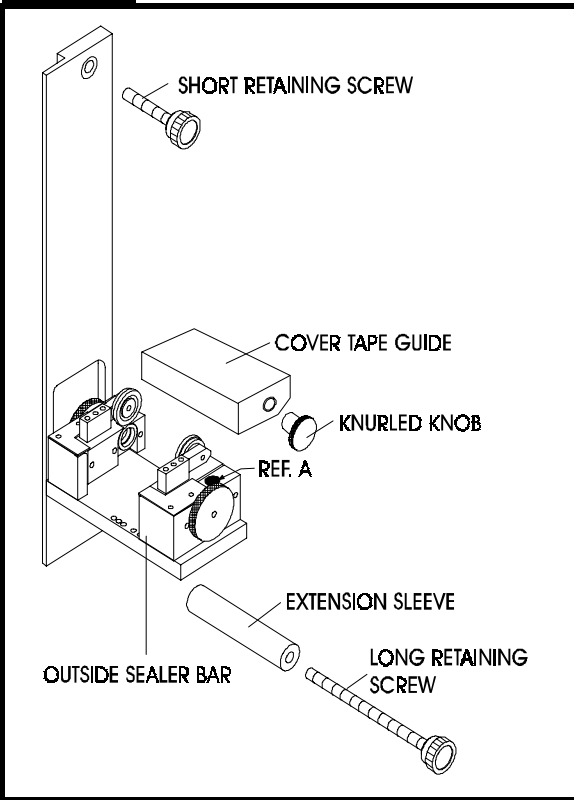
Operator's Instructions

These instructions describe the operation of the Universal PSA Sealer. Read all instructions before using the PSA Sealer, and keep for future reference.

PSA Sealer Setup

Refer to Figures 1 and 2 for the information below.

Figure 1



Mount PSA Sealer (Figure 1)

Remove the existing heat sealer and position the PSA sealer in place. Insert the short retaining bolt in the top hole on the sealer and the long bolt, through the extension sleeve, into the bottom hole. Tighten the retaining bolts, make sure the sealer is seated squarely.

Install Dummy Plug (Figure 2)

Connect the dummy plug to the sealer connector on the taping machine. The taping machines will not operate properly without this plug installed.

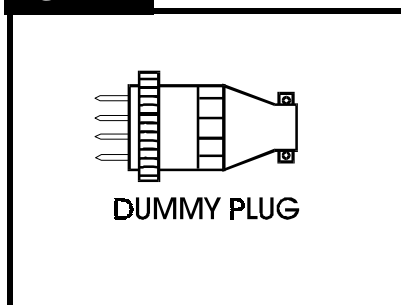
Set Temperature Controllers

Set both temperature controllers so the set point (SP) is 30°C and the alarm value is at least 10. With the dummy plug installed, the temperature controllers will remain constant at a value close to 30°C.

Set Sealer Width (Figure 1)

Remove the retaining bolt (Ref. A) from the sealer bar on the front of the sealer. Lift the bar free from the plate (there is a pin on each end of the bar). Replace the bar at the point where the width of the sealer track matches the width of the carrier tape being used. Replace and tighten the retaining bolt.

Figure 2



PSA Sealer Setup

Refer to Figure 1 for the information below.

Select Cover Tape Guide (Figure 1)

There is a different cover tape guide for each tape width. These are the same guides used with the interchangeable heat sealers. When changing the sealer width, the cover tape guide must also be changed. To do so, remove the knurled, metal knob that secures it in place and slide it straight off. Mount the new cover tape guide once the sealer width has been changed.

Load Tapes into the Sealer

Pull enough cover tape down so about 8" can be laid down on the carrier tape, sticky side down. Press the cover tape onto the carrier tape, so it is centered and running straight. Slide the two tapes under the cover tape guide, through the sealing wheels, and up to the drive sprocket on the left side of the sealer.

Lift the drive sprocket idler wheel up by pressing down on the left side of the idler arm. Move the carrier tape over the teeth on the drive sprocket and align the sprocket holes in the carrier over the teeth. Release the drive sprocket idler wheel. Make sure the teeth have engaged the holes in the tape.

Cover Tape Alignment

Make sure the cover tape is in the tape groove of the cover tape guide.

Check to be sure the tape is started into the tape guide to the left of the drive sprocket. Run tape through the sealer until the alignment of the cover tape to the carrier tape becomes constant. Carefully look at the cover tape to carrier tape alignment, at the point between the sealer and the drive sprocket, to decide whether it needs to be adjusted.

To move the cover tape in relation to the carrier, loosen the knob on cover tape guide and pull the guide slightly away from the adjustment dial, so the dial will turn freely.

PSA Sealer Setup

Refer to Figures 3, 4, and 5 for the information below.

Figure 3

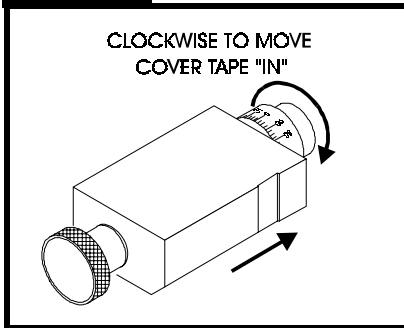


Figure 4

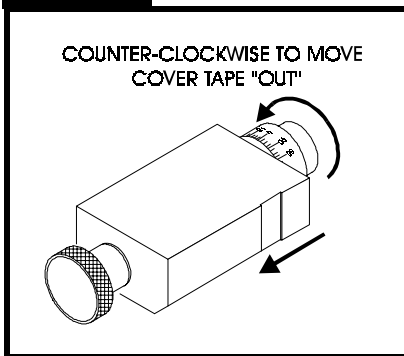
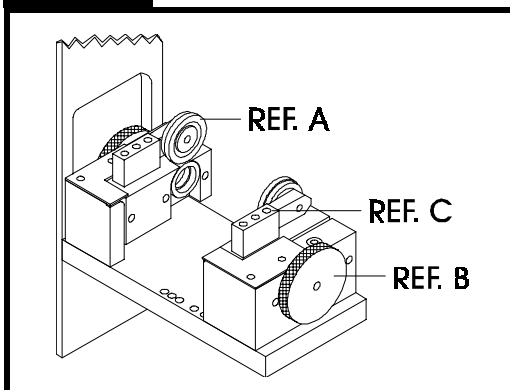


Figure 5



Cover Tape Alignment

Turning the dial clockwise (Figure 3) will move the cover tape closer to the sprocket holes on the inside edge of the carrier (10 divisions on the dial will move the tape .005 inches).

Turning the dial counterclockwise (Figure 4) will move the cover tape closer to the outside edge of the carrier (10 divisions on the dial will move the tape .005 inches).

Push the tape guide back against the dial after the adjustment has been made and tighten the knob. Run the tape out again until the cover tape stops shifting and check the alignment. Repeat this procedure until the proper alignment has been achieved.

Sealer Wheel Alignment (Figure 5)

The small wheels that seal the cover tape to the carrier tape (Ref. A) need to be positioned so they will run directly over the sticky portion of the cover tape. The large knurled knobs on the sides of the sealer bars (Ref. B) are used to adjust the position of these wheels.

It is easiest to move the position of the wheels while the tape is moving through the sealer. Begin advancing the tape through the sealer, then turn the knurled knob on the side of the sealer that needs to be moved. Turning the knob clockwise on the outside sealer bar will move the sealer wheel out toward the edge of the tape. Turning the knob clockwise on the inside sealer bar will move the sealer wheel in toward the center of the tape.

PSA Sealer Setup

Refer to Figures 5 for the information below.

Sealer Wheel Tension (Figure 5)


The seal should appear as a consistent, solid line. If the seal appears ragged or broken, increase the tension of the seal wheels by turning the small screw that is just behind the wheel (Ref. C). Clockwise will increase the tension. The screw should not need to be turned very far (1/4 turn). Make sure that the rubber on the sealer wheels is not damaged.

If the sealer has become completely out of adjustment, turn the small screw behind the wheel (Ref. C) counterclockwise approximately three turns. Slowly turn the screw clockwise while spinning the top wheel. Stop adjusting when the bottom wheel starts spinning with the top wheel. Add the tape and do the final adjusting as explained in the above paragraph.

Universal PSA Sealer


Maintenance Instructions

These instructions describe the maintenance procedures for the Universal PSA Sealer. Read this entire manual before performing any maintenance procedures, and keep for future reference.



WARNING

Only qualified persons are allowed to perform maintenance procedures on the PSA Sealer. Any maintenance procedures performed by unqualified persons could cause personal injury.



CAUTION

Only qualified persons are allowed to perform maintenance procedures on the PSA Sealer. Any maintenance procedures performed by unqualified persons could cause damage to the equipment.

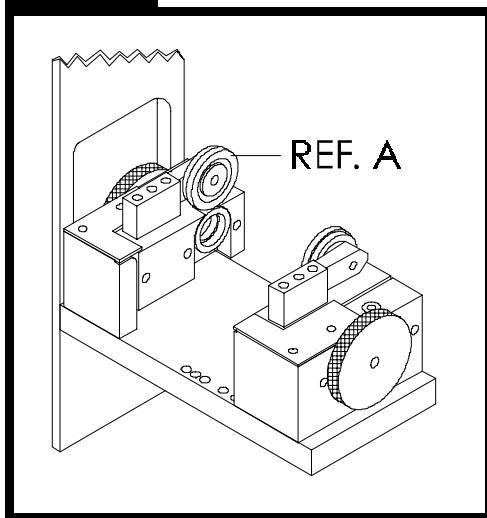
Maintenance Instructions

Refer to Figure 6 for the information below.

Universal PSA Sealer Maintenance

Clean the residues from the sealer assembly by using a cloth soaked in alcohol. Using a cotton swab soaked in alcohol, clean between the sealer wheels. Also, clean the entire surface of the plastic wheel.

Figure 6



CAUTION

Do not use solvents other than alcohol for cleaning the plastic wheels.

If during the cleaning process the sealer has become completely out of adjustment, turn the small screw behind the wheel (Ref. A) counterclockwise approximately three turns. Slowly turn the screw clockwise while spinning the top wheel. Stop adjusting when the bottom wheel starts spinning with the top wheel.

PSA Sealer

Index

C

carrier tape 4
cover tape alignment 3, 4

I

idler arm 3
install dummy plug 2

L

load tapes into the sealer 3

M

maintenance instructions 6, 7
mount psa sealer 2

O

operator's instructions 1

P

psa sealer set-up 2, 3, 4, 5

R

retaining bolt 2

S

seal wheels 5
sealer bars 4
sealer connector 2
sealer wheel alignment 4
sealer wheel tension 5
select cover tape guide 3
set sealer width 2
set temperature 2
set temperature controller 2
short retaining bolt 2
sprocket idler wheel 3

T

tape guide 4

U

universal psa sealer maintenance 7



751 Summit Avenue
Mankato, MN USA 56001

www.vtekusa.com

Your questions are important to us. For customer service, please call or write:

Phone: 507-387-2039 Extension 145
Email: vteksvc@gotocrystal.net

Please provide the machine model and serial numbers with all inquiries.

To order spare parts, please call:

Phone: 507-387-2039 Extension 133

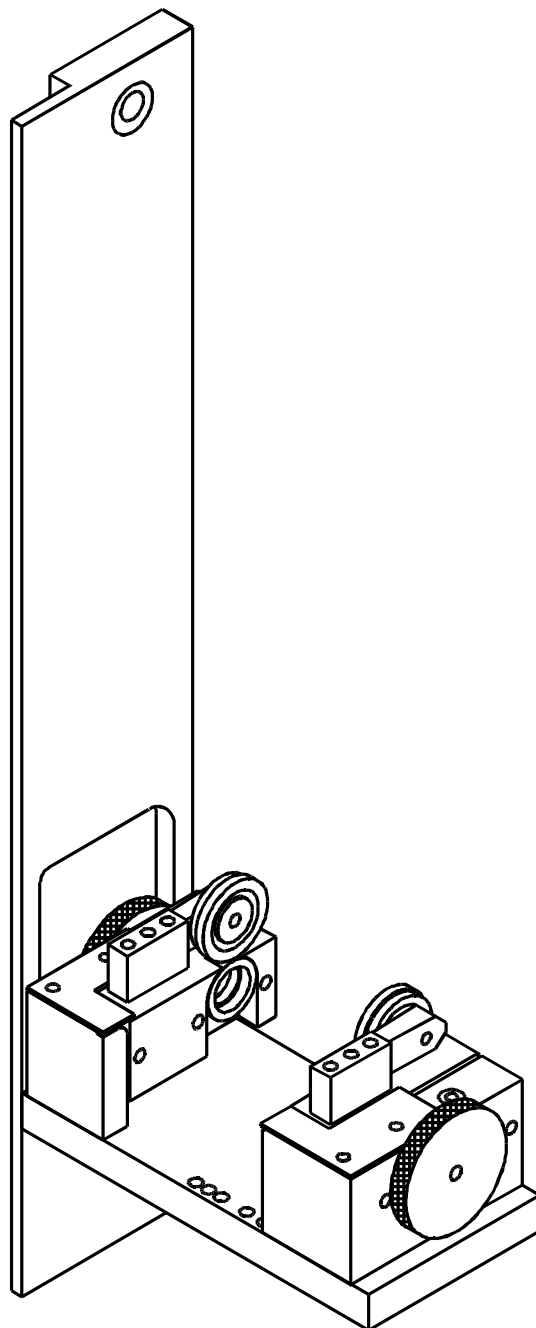
For tape and reel supplies, please call:

Phone: 507-387-2039 Ask for CPM Sales

NOTES

Universal PSA Sealer

Operator's Manual





**751 Summit Avenue
Mankato, MN 56002**

(507) 387-2039 FAX: (507) 387-2257

www.VTEKUSA.com
E-Mail: Info@VTEKUSA.com

